

Smart ideas for the bigger picture.

celexon - your specialist
for home cinema and AV solutions

PRODUCT DESCRIPTION

The celexon Professional height adjustable display Trolley Adjust-55120MP with a load capacity of up to 140kg is perfect for use in different environments and is suitable for displays from all major suppliers. The height can be adjusted from 166 - 182 cm.

The trolley is made of painted steel with 4 heavy duty castors making it easy to move while offering a secure base. Two lockable castors offer protection against unwanted movement. If you do not need the mobility, you can replace the castors with the four included feet.

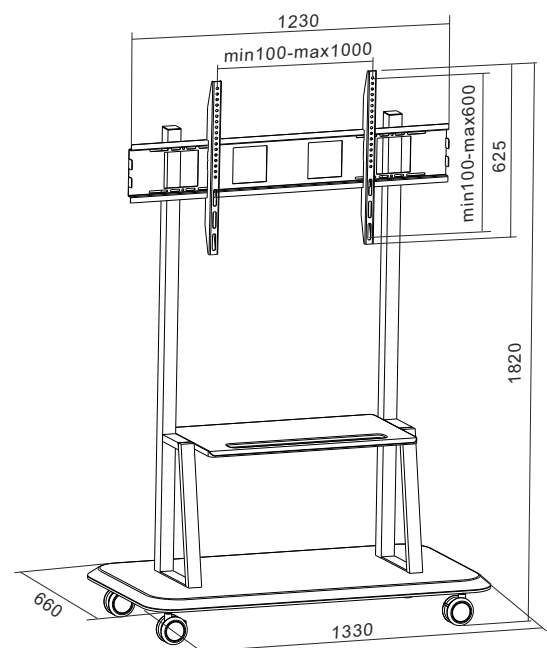
These trolleys offer enormous convenience of use thanks to an integrated shelf and wide base plate that serves as additional mobile storage space.

KEY INFORMATION

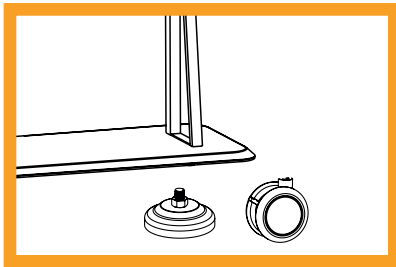
- Trolleys with a max. Height of 182 cm
- Supports the following Vesa standards:
 - Horizontal up to 1200mm (200, 280, 300, 400, 440, 580, 600, 684, 710, 730, 754, 800, 000, 1200)
 - Vertical up to 600mm (stepless)
- Mobile rolling frame painted in matt black
- Suitable for all 55" - 120" displays
- Maximum load > 140 kg
- Total system weight approx. 36 kg



celexon Professional Adjust-55120MP



DETAILS



Optional castor or feet

PRODUCT DATA

Name	Dimensions (mm) H x W x D	Net-weight (kg)	Supported Max. VESA standard	Height adjustment (cm)	EAN
celexon Economy Adjust-55120MP	1230 x 1330 x 1820	36	1200 x 600	166 - 182	4260094740466

The stated values represent the mean values of a unit produced in series production so minor deviations are possible. Due to continuous technical improvements, we reserve the right to change design and specifications without prior notice.

Received from your celexon reseller:

